

Lifting Beams



Model 27SL - Bulk Container Lifting Beams



QUICKSHIP PROGRAM

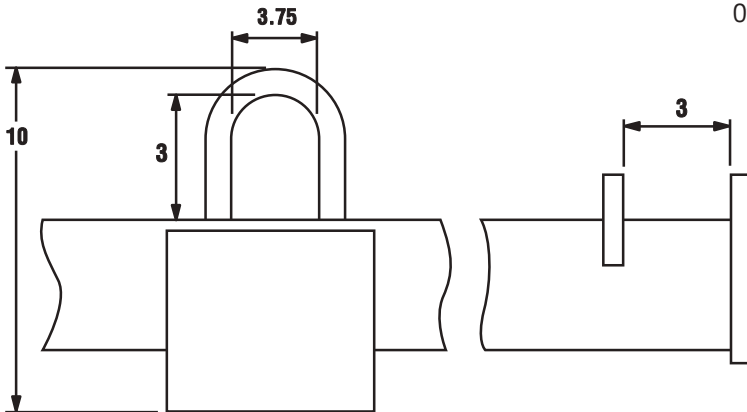
PRODUCT FEATURES:

- Constructed of tubing for smooth surface with no sharp edges.
- Low headroom design.
- Easily attach to load with open lifting lugs.
- Lug spacing will hold up to a 3" wide loop.
- Oversized lifting eye to accept a wide range of hooks.
- Conforms to ASME B30.20.

SPECIFICATIONS

Model Number	Capacity (lbs.)	Span (in.)	Weight (lbs.)
27SL-1-36	2000	36"	150
27SL-1-48	2000	48"	185
27SL-2-36	4000	36"	155
27SL-2-48	4000	48"	190

Other sizes available, please consult factory.



NOTE: Dimensions shown in inches.

Operation

